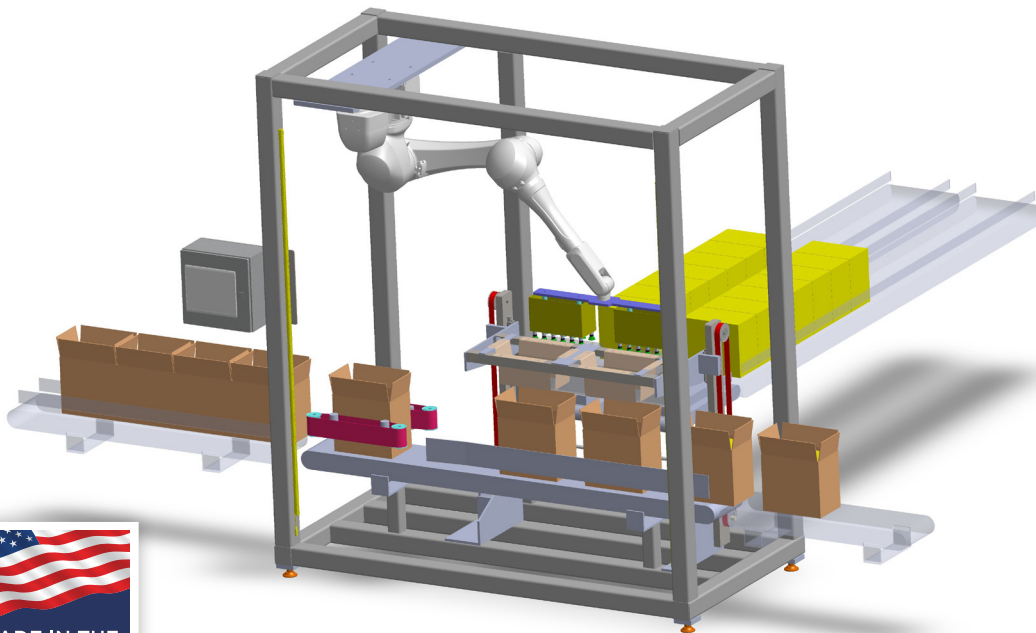


# Caseloader ABP-K2

*One machine, endless possibilities – fast changeovers, effortless flexibility*

Boost your packaging efficiency with our flexible, easy-to-changeover case loader — designed to adapt seamlessly into your production environment. Whether you're running short batches or switching between product sizes, this advanced system allows rapid changeovers with minimal downtime, no specialized tools, and intuitive controls. Its smart, user-friendly interface makes operation simple, while its robust design ensures consistent performance and long term reliability. Perfect for dynamic manufacturing environments, this machine maximizes productivity while keeping your production line agile and responsive.



## Product Formats



**Bags**



**Bottles**



**Pouches**



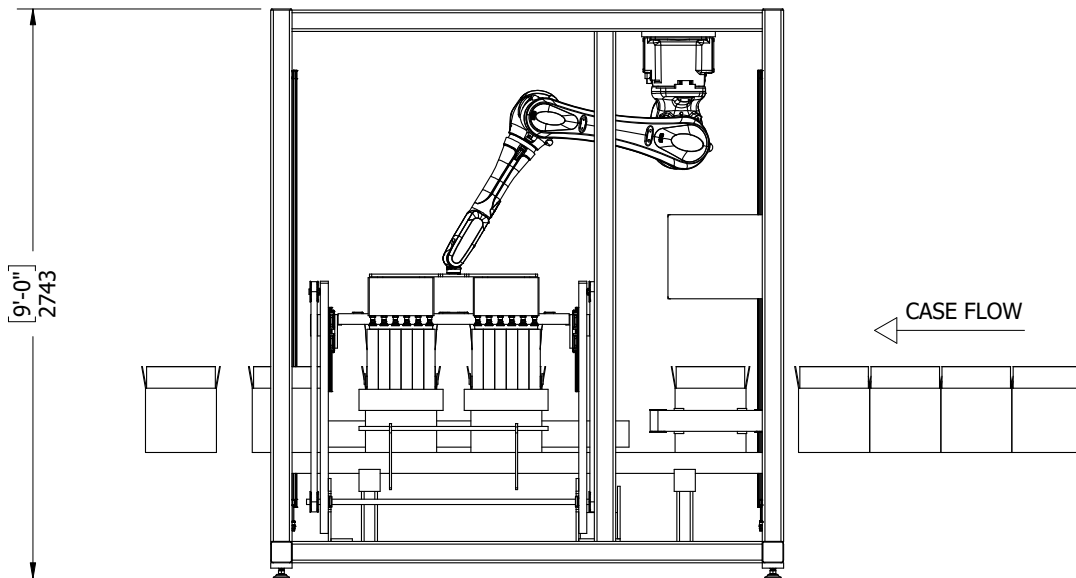
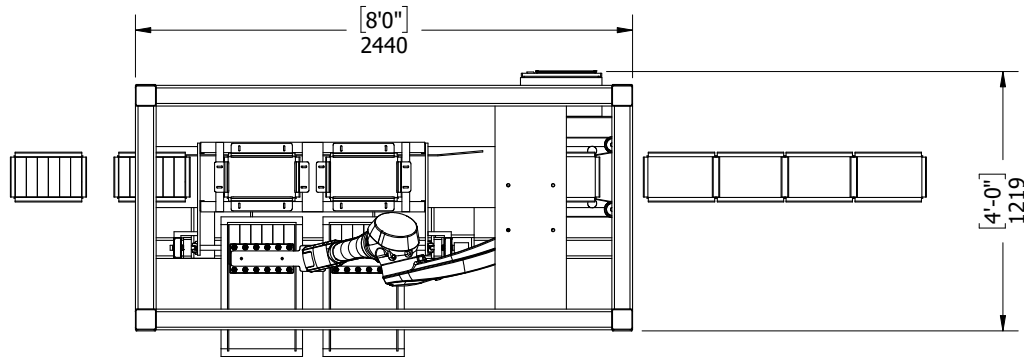
**Cartons**



**Jars**

## ABP-K2 Technical Specifications

|                             |   |
|-----------------------------|---|
| <b>SPEED</b>                | Standard: Up to 10 cases per minute<br>Dual Mode: Up to 20 cases per minute |
| <b>CASE SIZE MIN</b>        | Length: 190mm (7.00")<br>Width: 140mm (4.50")<br>Height: 75mm (4.00")       |
| <b>CASE SIZE MAX</b>        | Length: 600mm (24.00")<br>Width: 400mm (16.00")<br>Height: 470mm (16.00")   |
| <b>CASE TYPE</b>            | Regular Slotted Case (RSC)<br>Half Slotted Case (HSC)                       |
| <b>CASE CONVEYOR HEIGHT</b> | 20.00" Standard<br>Consult factory for other heights                        |
| <b>POWER</b>                | 230V, 3-ph, 60 Hz   |
| <b>AIR</b>                  | 15 SCFM @ 80psi   |
| <b>MAX LOAD CAPACITY</b>    | Consult Factory   |



## FEATURES AND BENEFITS:



- Configurable for a wide range of product loading applications
- Robust end effector for reliable handling of product
- Can be integrated with new or existing case forming & sealing equipment
- Robot arm provides ultimate flexibility & ease of changeover
- Simple and reliable design ensures continuous trouble-free operation
- Configurable to accommodate loading of cartons, bags, pouches, bottles and jars
- Can be mobile with quick disconnect
- **Simple Design = Low Cost = Faster ROI**